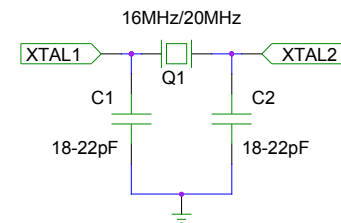
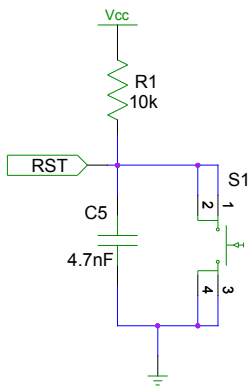
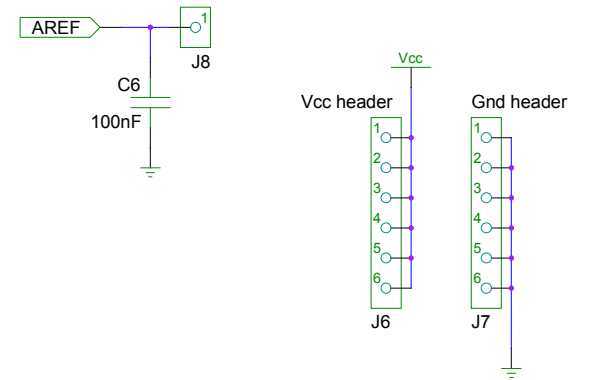
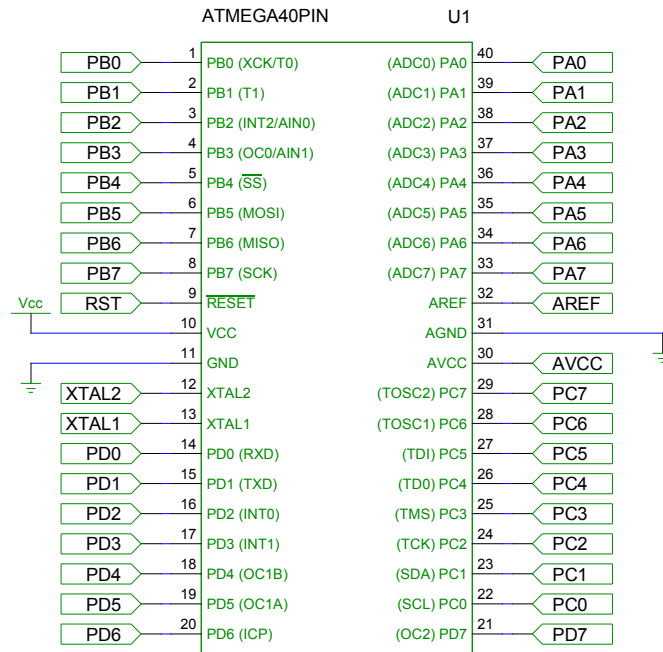
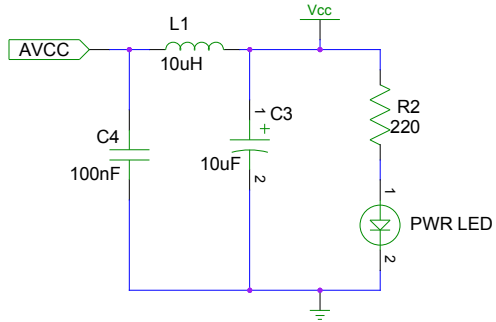
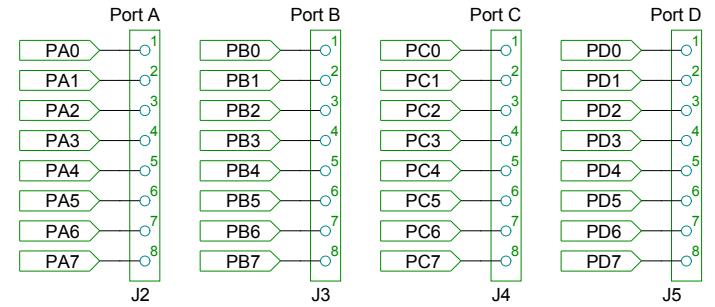


ATmega 40 pin minimal board

ATmega16, ATmega32, ATmega644, ATmega1284



This schematic by Silvius is licensed under a Creative Commons Attribution 3.0 Licence
<http://creativecommons.org/licenses/by/3.0/>
 Based on a work at www.openhardware.com.